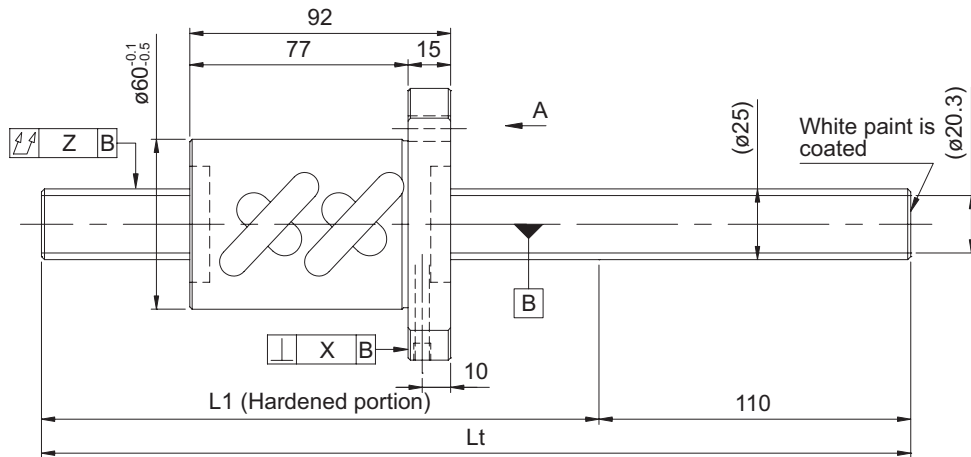
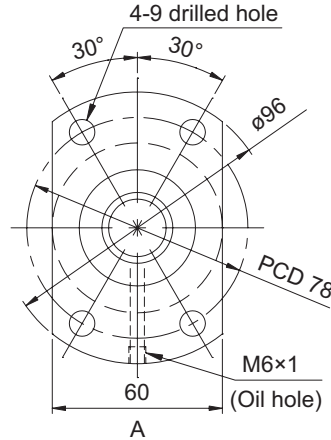


GW series (Accuracy grade C7) / GY series (Accuracy grade C10)

Ball screw specifications

Shaft diameter (mm) - Lead (mm)	25 - 10	
Number of circuits / Thread direction	2.5 turns 2 circuits / Right-hand	
Ball diameter (mm)	6.35	
Root diameter (mm)	20.3	
Series	GW	GY
Basic dynamic load rating C (N)	27500	
Basic static load rating C0 (N)	76300	
Accuracy grade / Axial clearance symbol	C7 / Y	C10 / Y
Axial clearance (mm)	0.070 or less	0.200 or less
Preload torque (N·cm)	----	
Recirculation system	Tube method	
Wiper	Lip seal	
Lubricant	Alvania Grease S2	
Phosphate coating	Nut alone	Screw shaft, nut



Model No. (Unfinished shaft ends)	L1	Lt	Maximum stroke (L1 - nut length)
GW2510ES-HULR-1000A	890	1000	798
GW2510ES-HULR-2000A	1890	2000	1798
GW2510ES-HULR-2500A	2390	2500	2298
GY2510ES-HULR-1000A	890	1000	798
GY2510ES-HULR-2000A	1890	2000	1798
GY2510ES-HULR-2500A	2390	2500	2298

• At the time of delivery, grease is inserted inside of the nut, with rust-preventive oil also applied. Before and during use, apply lubricant where appropriate.

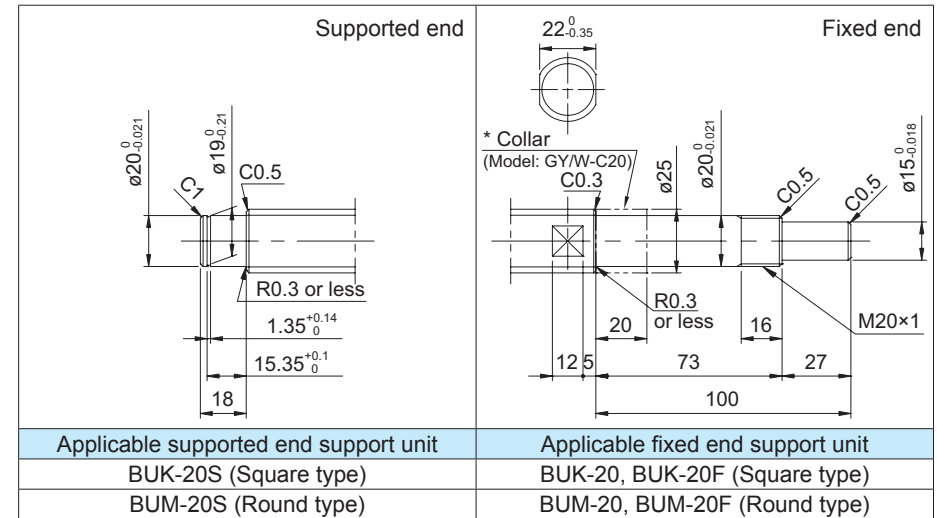
Screw shaft diameter ø25, Lead 10 (Round nut)

Shaft end finish type

Standard rolled ball screws are available with KURODA's recommended shaft end finish types for each size.

Other than KURODA's recommended shaft end finish types described below, additional machining including keyways, tapped holes, and D-cut processing are also available if requested. Please contact KURODA with your orders. Model examples for finished shaft ends are described below.

Model example: Unfinished shaft ends (See left figure) → Finished shaft ends
 GY2510ES-HULR-2500A → GY2510ES-HULR-2490X2372-CAY
 ↳ Thread length
 ↳ Overall screw shaft length



Optional specifications

• Ball screw lubricating unit LUBSEAL can be equipped.

Model example: GY2510ES-HUSR-2490X2372-CAY
 ↳ Wiper material S: LUBSEAL

• Anticorrosive black coating (coating thickness: 1 to 2 µm) is available.

Lead accuracy	Accuracy of each part		Mass (kg)
	X	Z	
0.05/300	0.025	0.080	5.70
		0.200	9.54
		0.260	11.46
0.21/300	---	0.160	5.70
		0.400	9.54
		0.640	11.46

Screw shaft diameter ø25

Screw shaft diameter ø25