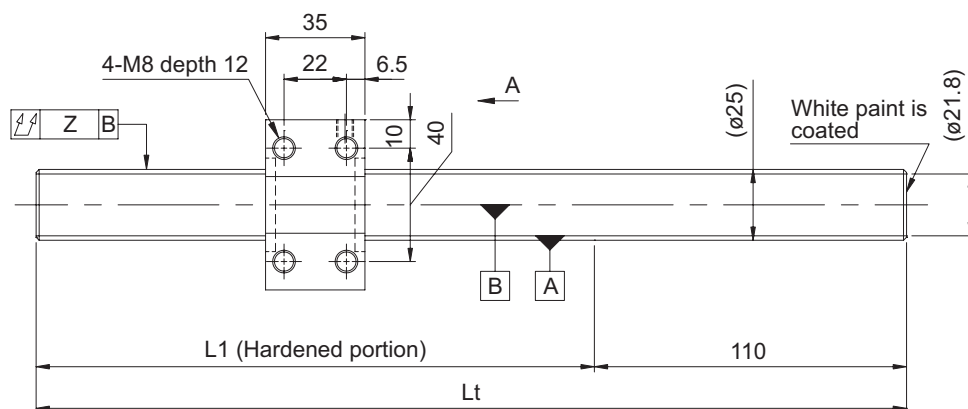
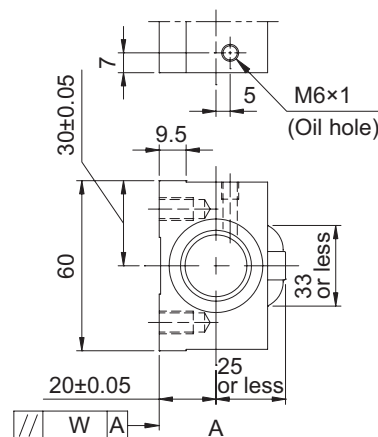


GW series (Accuracy grade C7) / GY series (Accuracy grade C10)

• Ball screw specifications

Shaft diameter (mm) - Lead (mm)	25 - 5	
Number of circuits / Thread direction	2.5 turns 1 circuit / Right-hand	
Ball diameter (mm)	3.175	
Root diameter (mm)	21.8	
Series	GW	GY
Basic dynamic load rating C (N)	6600	
Basic static load rating C0 (N)	18700	
Accuracy grade / Axial clearance symbol	C7 / Y	C10 / Y
Axial clearance (mm)	0.030 or less	0.100 or less
Preload torque (N·cm)	----	
Recirculation system	Tube method	
Wiper	Lip seal	
Lubricant	Alvania Grease S2	
Phosphate coating	Nut alone	Screw shaft, nut



Model No. (Unfinished shaft ends)	L1	Lt	Maximum stroke (L1 - nut length)
GW2505DS-NKLR-1000A	890	1000	855
GW2505DS-NKLR-2000A	1890	2000	1855
GW2505DS-NKLR-2500A	2390	2500	2355
GY2505DS-NKLR-1000A	890	1000	855
GY2505DS-NKLR-2000A	1890	2000	1855
GY2505DS-NKLR-2500A	2390	2500	2355

• At the time of delivery, grease is inserted inside of the nut, with rust-preventive oil also applied. Before and during use, apply lubricant where appropriate.

Screw shaft diameter ø25, Lead 5 (Square nut)

• Shaft end finish type

Standard rolled ball screws are available with KURODA's recommended shaft end finish types for each size.

Other than KURODA's recommended shaft end finish types described below, additional machining including keyways, tapped holes, and D-cut processing are also available if requested. Please contact KURODA with your orders. Model examples for finished shaft ends are described below.

Model example: Unfinished shaft ends (See left figure) → Finished shaft ends

GY2505DS-NKLR-2500A → GY2505DS-NKLR-2490X2372-CAY
 ↳ Thread length
 ↳ Overall screw shaft length

Supported end	Fixed end
Applicable supported end support unit	Applicable fixed end support unit
BUK-20S (Square type)	BUK-20, BUK-20F (Square type)
BUM-20S (Round type)	BUM-20, BUM-20F (Round type)

• Optional specifications

• Anticorrosive black coating (coating thickness: 1 to 2 μm) is available.

Lead accuracy	Accuracy of each part		Mass (kg)
	W	Z	
0.05/300	0.017	0.080	4.40
		0.200	8.24
		0.260	10.17
0.21/300	---	0.160	4.40
		0.400	8.24
		0.640	10.17

Screw shaft diameter ø25

Screw shaft diameter ø25