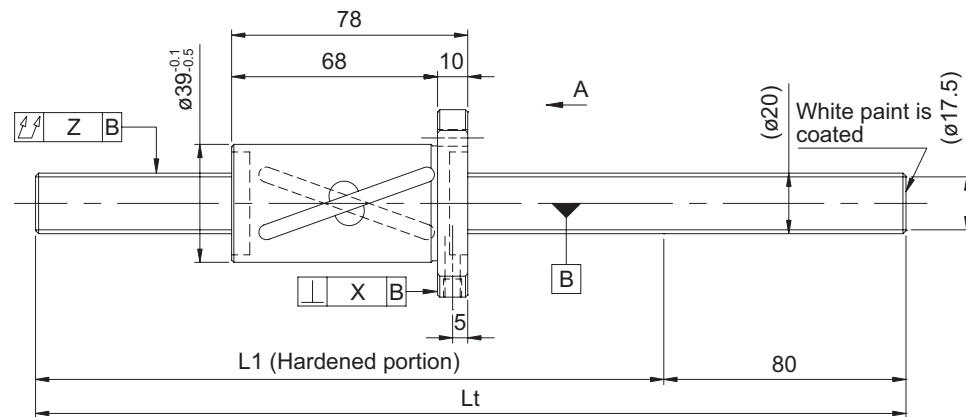
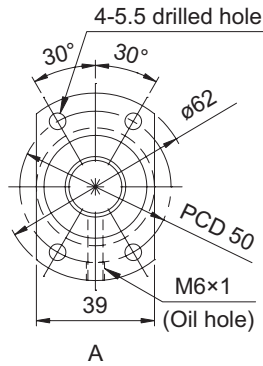


GW series (Accuracy grade C7) / GY series (Accuracy grade C10)

Ball screw specifications

Shaft diameter (mm) - Lead (mm)	20 - 20	
Number of circuits / Thread direction	2.5 turns 2 circuits / Right-hand	
Ball diameter (mm)	3.175	
Root diameter (mm)	17.5	
Series	GW	GY
Basic dynamic load rating C (N)	11200	
Basic static load rating C0 (N)	29400	
Accuracy grade / Axial clearance symbol	C7 / Y	C10 / Y
Axial clearance (mm)	0.030 or less	0.100 or less
Preload torque (N·cm)	----	
Recirculation system	Tube method	
Wiper	Lip seal	
Lubricant	Alvania Grease S2	
Phosphate coating	Nut alone	Screw shaft, nut



Model No. (Unfinished shaft ends)	L1	Lt	Maximum stroke (L1 - nut length)
GW2020ES-HULR-0600A	520	600	442
GW2020ES-HULR-1200A	1120	1200	1042
GW2020ES-HULR-2000A	1920	2000	1842
GY2020ES-HULR-0600A	520	600	442
GY2020ES-HULR-1200A	1120	1200	1042
GY2020ES-HULR-2000A	1920	2000	1842

• At the time of delivery, grease is inserted inside of the nut, with rust-preventive oil also applied. Before and during use, apply lubricant where appropriate.

Screw shaft diameter $\phi 20$, Lead 20 (Round nut)

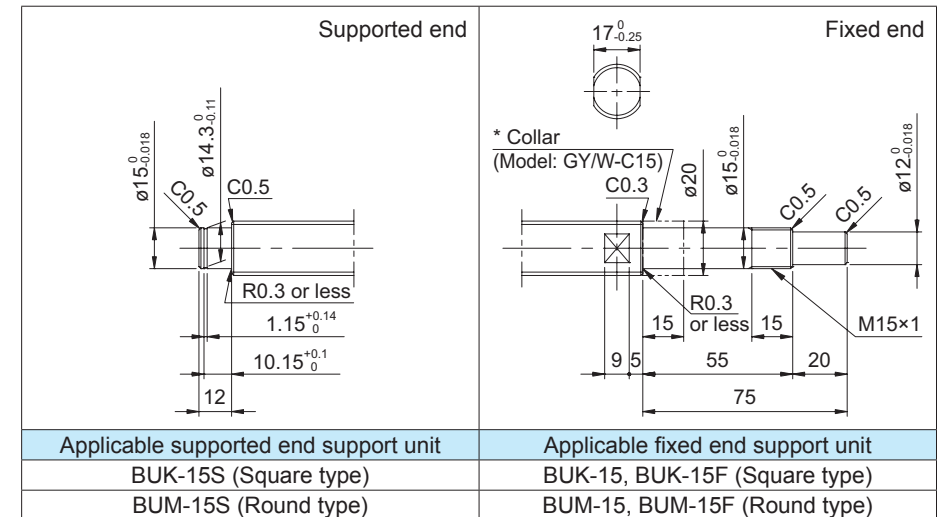
Shaft end finish type

Standard rolled ball screws are available with KURODA's recommended shaft end finish types for each size.

Other than KURODA's recommended shaft end finish types described below, additional machining including keyways, tapped holes, and D-cut processing are also available if requested. Please contact KURODA with your orders. Model examples for finished shaft ends are described below.

Model example: Unfinished shaft ends (See left figure) → Finished shaft ends

GY2020ES-HULR-2000A → GY2020ES-HULR-1995X1908-CAY
 ↳ Thread length
 ↳ Overall screw shaft length



Optional specifications

• Ball screw lubricating unit LUBSEAL can be equipped.

Model example: GY2020ES-HUSR-1995X1908-CAY

↳ Wiper material S: LUBSEAL

• Anticorrosive black coating (coating thickness: 1 to 2 μm) is available.

Lead accuracy	Accuracy of each part		Mass (kg)
	X	Z	
0.05/300	0.025	0.070	2.06
		0.120	3.53
		0.270	5.50
0.21/300	---	0.140	2.06
		0.240	3.53
		0.640	5.50

Screw shaft diameter $\phi 20$

Screw shaft diameter $\phi 20$