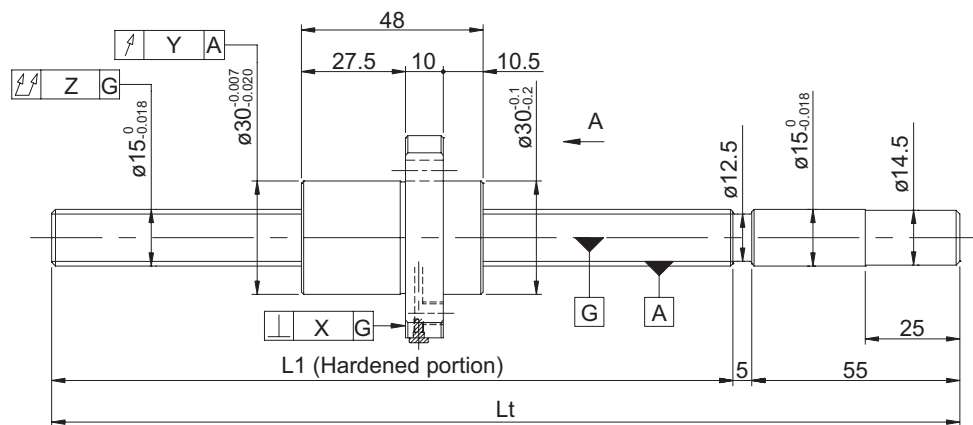
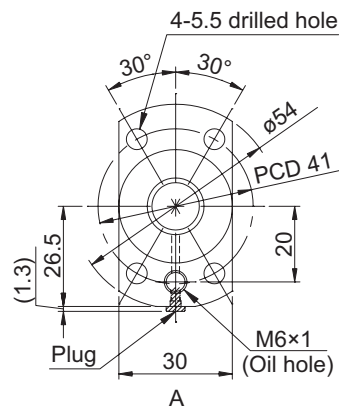


● Ball screw specifications

Shaft diameter (mm) - Lead (mm)	15 - 20		
Number of circuits / Thread direction	1.7 turns 1 circuit / Right-hand		
Ball diameter (mm)	3.175		
Root diameter (mm)	12.5		
Series	FG	FE	
Basic dynamic load rating C (N)	4800		
Basic static load rating C0 (N)	8200		
Accuracy grade / Axial clearance symbol	C5 / S	C5 / F	C7 / M
Axial clearance (mm)	0	0.005 or less	0.030 or less
Preload torque (N·cm)	1.0 to 11.0	Up to 3.0	----
Spacer ball	None		
Recirculation system	End deflector method		
Wiper	None		
Lubricant	Alvania Grease S2		



Model No. (Unfinished shaft ends)	Screw shaft length		Maximum stroke (L1 - nut length)	Lead accuracy		
	L1	Lt		$\pm E_c$	e_c	e_{300}
FG1520PS-HPNR-0600A	540	600	492	0.030	0.023	0.018
FG1520PS-HPNR-0900A	840	900	792	0.040	0.027	
FG1520PS-HPNR-1100A	1040	1100	992	0.046	0.030	
FE1520PS-HPNR-0600A	540	600	492	0.05/300	----	----
FE1520PS-HPNR-0900A	840	900	792			
FE1520PS-HPNR-1100A	1040	1100	992			

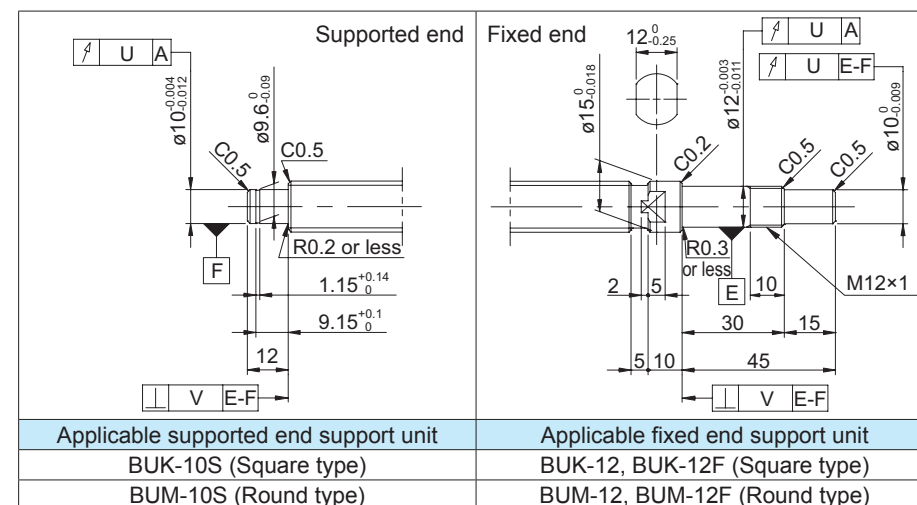
- Product with axial clearance of 0.005 or less (F) shown may be partially preloaded.
- Preload torque is a value before applying grease.

● Shaft end finish type

Standard precision ball screws are available with KURODA's recommended shaft end finish types for each size.

Other than KURODA's recommended shaft end finish types described below, additional machining including keyways, tapped holes, and D-cut processing are also available if requested. Please contact KURODA with your orders. Model examples for finished shaft ends are described below.

Model example: Unfinished shaft ends (See left figure) → Finished shaft ends
 FG1520PS-HPNR-1100A → FG1520PS-HPNR-1100X1028-C5F
 ↳ Thread length
 ↳ Overall screw shaft length



● Optional specifications

- Ball screw lubricating unit LUBSEAL can be equipped. The overall nut length will be 11 mm longer.

Model example: FG1520PS-HPSR-1100X1028-C5F
 ↳ Wiper material S: LUBSEAL

- Anticorrosive black coating (coating thickness: 1 to 2 μ m) is available.

Accuracy of each part					Preload torque (N·cm)		Mass (kg)
X	Y	Z	U	V	Without clearance	With clearance	
0.010	0.012	0.075	0.012	0.005	1.0 to 11.0	Up to 3.0	1.04
		0.120					1.44
		0.150					1.71
0.014	0.020	0.110	----	----	----	----	1.04
		0.170					1.44
		0.210					1.71

- At the time of delivery, grease is inserted inside of the nut, with rust-preventive oil also applied. Before and during use, apply lubricant where appropriate.
- For models with lead accuracy grade of C3 or higher and unfinished shaft ends, consult KURODA.