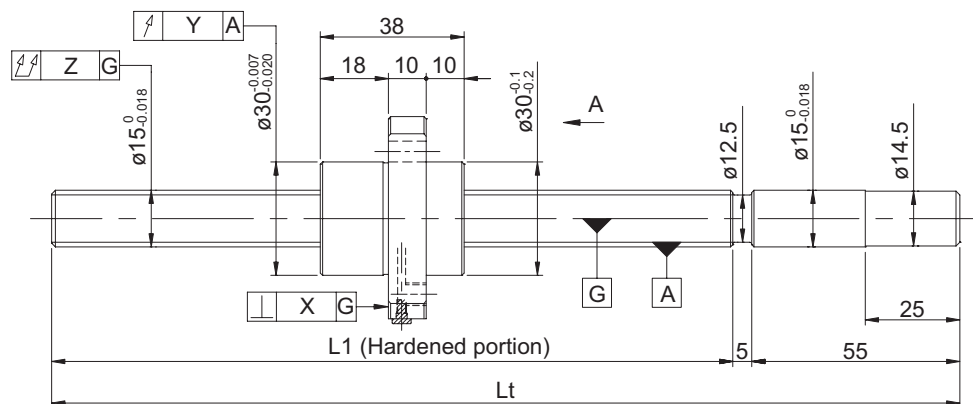
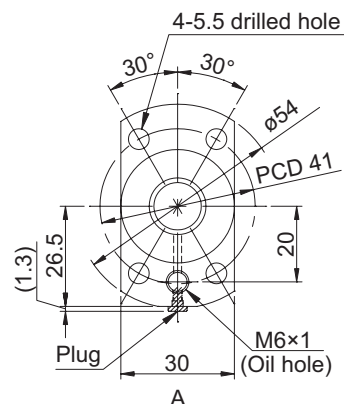


● Ball screw specifications

Shaft diameter (mm) - Lead (mm)	15 - 10		
Number of circuits / Thread direction	2.7 turns 1 circuit / Right-hand		
Ball diameter (mm)	3.175		
Root diameter (mm)	12.5		
Series	FG	FE	
Basic dynamic load rating C (N)	7400		
Basic static load rating C0 (N)	12900		
Accuracy grade / Axial clearance symbol	C5 / S	C5 / F	C7 / M
Axial clearance (mm)	0	0.005 or less	0.030 or less
Preload torque (N·cm)	1.0 to 12.0	Up to 3.0	----
Spacer ball	None		
Recirculation system	End deflector method		
Wiper	None		
Lubricant	Alvania Grease S2		

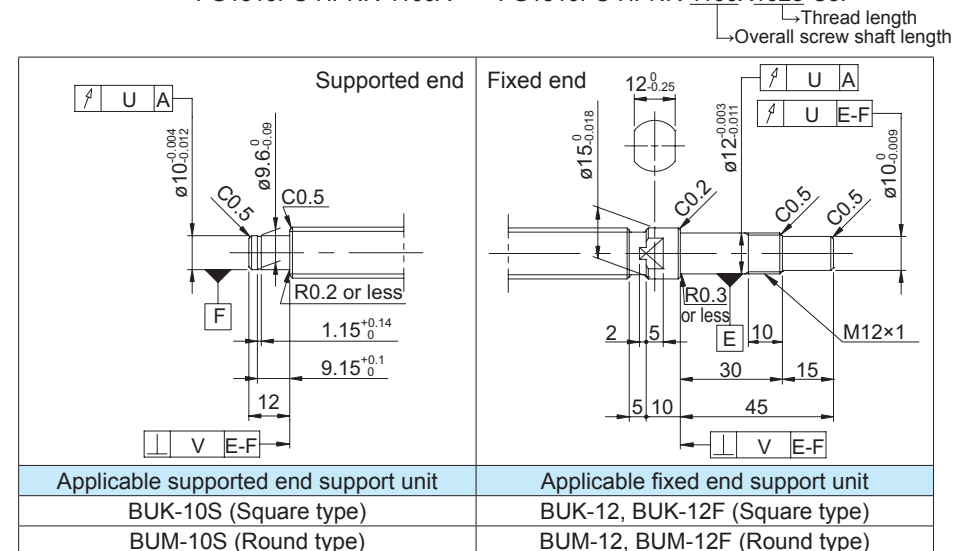


● Shaft end finish type

Standard precision ball screws are available with KURODA's recommended shaft end finish types for each size.

Other than KURODA's recommended shaft end finish types described below, additional machining including keyways, tapped holes, and D-cut processing are also available if requested. Please contact KURODA with your orders. Model examples for finished shaft ends are described below.

**Model example:** Unfinished shaft ends (See left figure) → Finished shaft ends  
 FG1510PS-HPNR-1100A → FG1510PS-HPNR-1100X1028-C5F



● Optional specifications

• Ball screw lubricating unit LUBSEAL can be equipped. The overall nut length will be 11 mm longer.

**Model example:** FG1510PS-HPSR-1100X1028-C5F  
 ↳ Wiper material S: LUBSEAL

• Anticorrosive black coating (coating thickness: 1 to 2  $\mu\text{m}$ ) is available.

Model No. (Unfinished shaft ends)	Screw shaft length		Maximum stroke (L1 - nut length)	Lead accuracy		
	L1	Lt		$\pm E_c$	$e_c$	$e_{300}$
FG1510PS-HPNR-0600A	540	600	502	0.030	0.023	0.018
FG1510PS-HPNR-0900A	840	900	802	0.040	0.027	
FG1510PS-HPNR-1100A	1040	1100	1002	0.046	0.030	
FE1510PS-HPNR-0600A	540	600	502	0.05/300	----	----
FE1510PS-HPNR-0900A	840	900	802			
FE1510PS-HPNR-1100A	1040	1100	1002			

• Product with axial clearance of 0.005 or less (F) shown may be partially preloaded.  
 • Preload torque is a value before applying grease.

Accuracy of each part					Preload torque (N·cm)		Mass (kg)
X	Y	Z	U	V	Without clearance	With clearance	
0.010	0.012	0.075	0.012	0.005	1.5 to 12.0	Up to 3.0	0.96
		0.120			1.5 to 12.0		1.34
		0.150			1.0 to 12.0		1.59
0.014	0.020	0.110	----	----	----	----	0.96
		0.170					1.34
		0.210					1.59

• At the time of delivery, grease is inserted inside of the nut, with rust-preventive oil also applied. Before and during use, apply lubricant where appropriate.  
 • For models with lead accuracy grade of C3 or higher and unfinished shaft ends, consult KURODA.