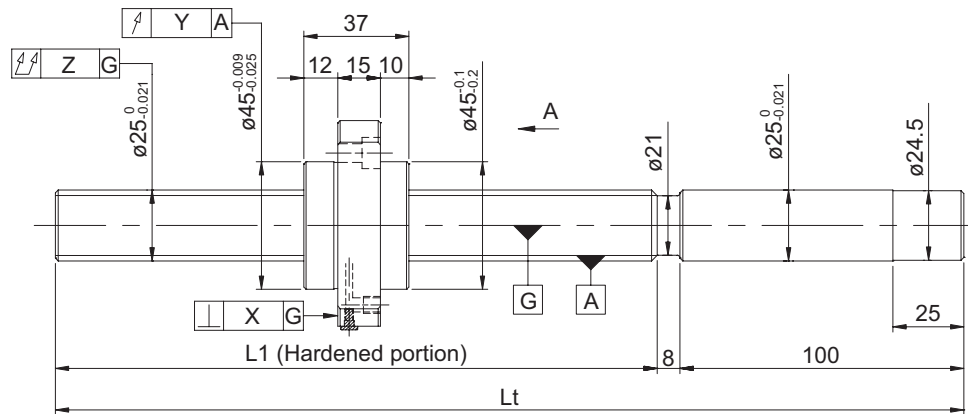
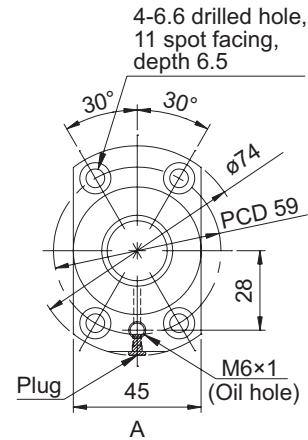


FG series (Accuracy grade C5) / FE series (Accuracy grade C7)

● Ball screw specifications

Shaft diameter (mm) - Lead (mm)	25 - 10		
Number of circuits / Thread direction	2.7 turns 1 circuit / Right-hand		
Ball diameter (mm)	4.7625		
Root diameter (mm)	21.0		
Series	FG	FE	
Basic dynamic load rating C (N)	20400		
Basic static load rating C0 (N)	42600		
Accuracy grade / Axial clearance symbol	C5 / S	C5 / F	C7 / M
Axial clearance (mm)	0	0.005 or less	0.030 or less
Preload torque (N·cm)	9.0 to 38.0	Up to 6.0	----
Spacer ball	None		
Recirculation system	End deflector method		
Wiper	None		
Lubricant	Alvania Grease S2		



Model No. (Unfinished shaft ends)	Screw shaft length		Maximum stroke (L1 - nut length)	Lead accuracy		
	L1	Lt		$\pm E_c$	e_c	e_{300}
FG2510PS-HPNR-1020A	912	1020	875	0.040	0.027	0.018
FG2510PS-HPNR-1520A	1412	1520	1375	0.054	0.035	
FE2510PS-HPNR-1020A	912	1020	875	0.05/300	----	----
FE2510PS-HPNR-1520A	1412	1520	1375			

- Product with axial clearance of 0.005 or less (F) shown may be partially preloaded.
- Preload torque is a value before applying grease.

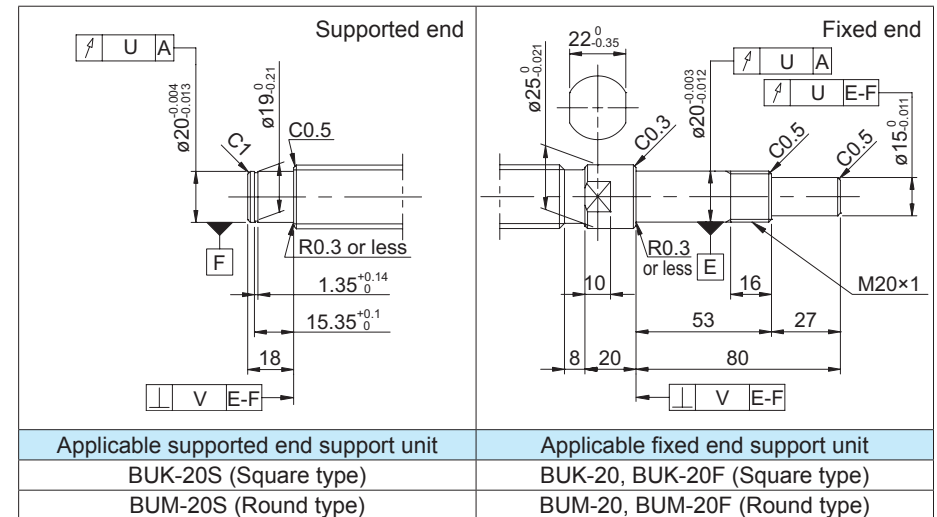
Screw shaft diameter ø25, Lead 10

● Shaft end finish type

Standard precision ball screws are available with KURODA's recommended shaft end finish types for each size.

Other than KURODA's recommended shaft end finish types described below, additional machining including keyways, tapped holes, and D-cut processing are also available if requested. Please contact KURODA with your orders. Model examples for finished shaft ends are described below.

Model example: Unfinished shaft ends (See left figure) → Finished shaft ends
 FG2510PS-HPNR-1520A → FG2510PS-HPNR-1520X1394-C5F
 ↳ Thread length
 ↳ Overall screw shaft length



● Optional specifications

- Ball screw lubricating unit LUBSEAL can be equipped. The overall nut length will be 11 mm longer.

Model example: FG2510PS-HPSR-1520X1394-C5F
 ↳ Wiper material S: LUBSEAL

- Anticorrosive black coating (coating thickness: 1 to 2 μm) is available.

Accuracy of each part					Preload torque (N·cm)		Mass (kg)
X	Y	Z	U	V	Without clearance	With clearance	
0.011	0.015	0.100	0.013	0.005	9.0 to 38.0	Up to 6.0	3.92
		0.130					5.60
0.018	0.030	0.150	----	----	----	----	3.92
		0.190					5.60

- At the time of delivery, grease is inserted inside of the nut, with rust-preventive oil also applied. Before and during use, apply lubricant where appropriate.
- For models with lead accuracy grade of C3 or higher and unfinished shaft ends, consult KURODA.