

BALLSCREW ACTUATOR

FULL COVER SC SERIES

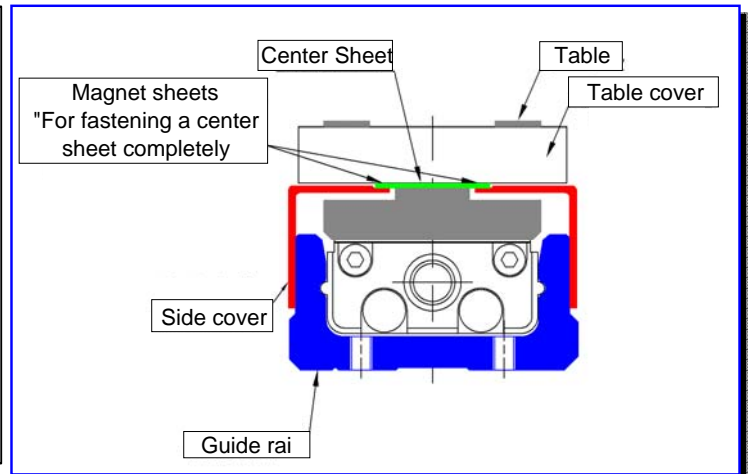
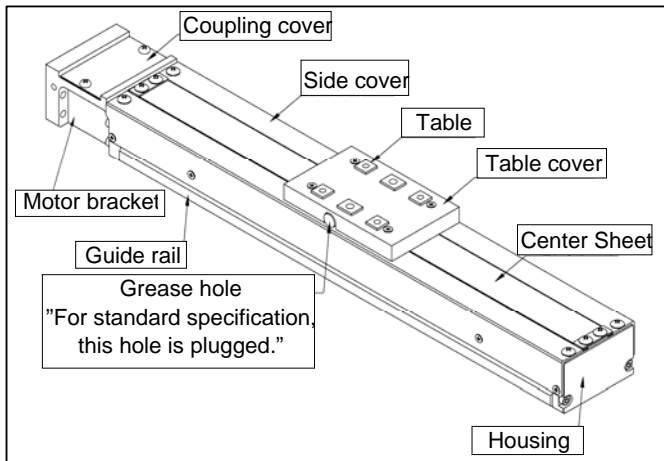
SC23

SC30

SC45

Features

- Improved dust protection system !
- Easy lubrication maintenance !
- Compact design for saving space !
- High rigid U-shaped guide (Carbon steel)



□ Variety of SC series

Model Number		SC23	SC30	SC45
Accuracy grade	U	Repeated positioning accuracy : $\pm 5\mu\text{m}$ (Ball screw lead accuracy C7, Axial clearance 0mm)		
	W	Repeated positioning accuracy : $\pm 10\mu\text{m}$ (Ball screw lead accuracy C7, Axial clearance $\leq 0.02\text{mm}$ or less)		
Shaft dia.		8mm	10mm	15mm
Lead	02 : 2mm	○	●	
	04 : 4mm	●	○	
	05 : 5mm	○	○	○
	08 : 8mm	●		
	10 : 10mm		○	○
	20 : 20mm			○

○ : Standard items

● : Customized items

□HOW TO DISPLAY MODEL NUMBER

Model NO.	Lead length	Slide block	Guide rail length	Accuracy grade	Motor bracket type	Cover option	Sensor type	Surface treatment	Grease
SC23	02: 2mm 05: 5mm	A	150 - 300	U or W	A variety of motor bracket types & intermediate flanges are available	N: Standard G: Grease fitting S: Wiper D: Grease fitting +wiper	1, Without sensor 2, Photo-micro sensor 3, Proximity Sensor	N: Standard L: Anti corrosive black coating	N: Standard (Multitemp PS No.2) C: Low dust generating grease
SC30	04: 4mm 05: 5mm 10: 10mm		150 - 750						
SC45	05: 5mm 10: 10mm 20: 20mm		540 - 940						

Slide block A: With 1 Long block

★Positioning pin holes are equipped to SC series as standard.

□SPECIFICATION

Model number		SC2302	SC2305	SC3004	SC3005	SC3010	SC4505	SC4510	SC4520	
Accuracy grade		W	U	W	U	W	U	W	U	
Guid rail	Radial clearance(um)	-3um or less		-3um or less			-5um or less			
	Long block	Basic dynamic load rating		4.3(kN)		7(kN)			27(kN)	
		Basic static load rating		7(kN)		11.8(kN)			45(kN)	
		Static permissible moment	M _P	29		43			68	
M _Y	51		107			194				
M _R	61		84			250				
Ball screw	Shaft diameter(mm)	8		10			15			
	Lead length(mm)	2	5	4	5	10	5	10	20	
	Basic dynamic load rating(kN)	1.8	1.9	3.0	3.0	2.0	5.1	5.1	3.1	
	Basic static load rating(kN)	3.2	3.1	5.3	5.3	3.2	10.5	10.5	6.6	
	Accuracy grade	C7 or equivalent								
Axial clearance(mm)	W: 0.02 or less			U: 0						
Bearing	Model No. of bearing	AC6-16DF or equivalent		708DFP5 or equivalent			5201 A or equivalent			
	Basic dynamic load rating(kN)	1.79		4.40			5.9			
	Basic static load rating(kN)	1.76		4.36			3.2			

(Note) Static permissible moment of SC series defines the rigidity obtained by table configuration and its material.

□ACCURACY

Model No.	Guide rail length(mm)	Repeated positioning accuracy		Positioning accuracy(um)		Travelling parallelism B(um)		Backlash (um)		Starting torque (N·m)	
		W	U	W	U	W	U	W	U	W	U
SC23	150	+/-10	+/-5	70		15	20	5	0.03	0.06	
	200			75							
	250			85							
	300			90							
SC30	150	+/-10	+/-5	70		15	20	5	0.07	0.15	
	200			80							
	300			90							
	400			95							
	500			100		25	20	5	0.07	0.15	
	600			110							
	700			120							
	750			130							
SC45	540	+/-10	+/-5	110		40	20	5	0.1	0.2	
	640			120							
	740			130							
	840			150		50	20	5	0.1	0.2	
	940			170							

★A variety of options for motor bracket and sensor are available. Please refer to our catalog for the details.

The content of catalog is subject to change without notice for product improvement purposes.